



ZUUL+

Within the modern guitar community, the Zuul has long been the industry standard for noise gate technology. Here at Fortin, we are never, ever going to rest on our laurels and are extremely proud to bring you the pinnacle of gating functionality for electric guitar - Zuul+; the ultimate tool for signal control and gating.

The Zuul+ takes everything that made the original Zuul legendary and adds multiple new, essential, features. The first thing we wanted to do was expand the 'Key In' functionality (that makes the gate active after OD/Boost pedals, reacting to the pure guitar signal), Zuul+ now boasts a 'Key Thru' (complete with ground lift switch), that eliminates the need to split the signal externally. We have also added all new Hold and Release controls that give you everything you need to ensure you have pristine gating response in your rig.



To ensure you get the absolute best out of your new pedal, we strongly recommend you take some time just playing with it to get to know the controls and how they react. Yes, that is right, we want you to play with it as much as possible!

This pedal has a lot of features that all work together to ensure your signal is cut in exactly the right way according to your playing style.

BYPASS - True bypass footswitch.

GATE - Adjusts how much level is required to open the noise gate and allow a signal to pass through.

HOLD - Controls the time which keeps the gate open during brief pauses in the signal source.

RELEASE - Controls the length of time the gate takes to change from open to fully closed when the hold time is over - the fade out duration. A low amount of release cuts the sound quickly, a higher amount gives a slower fade.

KEY IN - Only applicable for 3CM and 4CM

- Plug your guitar directly into this so the Zuul+ can trigger directly from your guitar without being affected by earlier placed boosts or dirt pedals.
- The Zuul+ functions normally as a gate without the use of the Key Input 2CM (cable method) but for the very best response, we recommend using the Key In via 3CM (using the Roach of Spliff) or 4CM.

KEY THRU - Plug this into the rest of your pedal board chain (for 3CM and 4CM).

GROUND LIFT SWITCH - Use this switch to eliminate possible noise created by ground loops when using the KEY in 3CM or 4CM.

ZUUL+ IN - To amp effects (3CM and 4CM) / Instrumnet in (2CM)

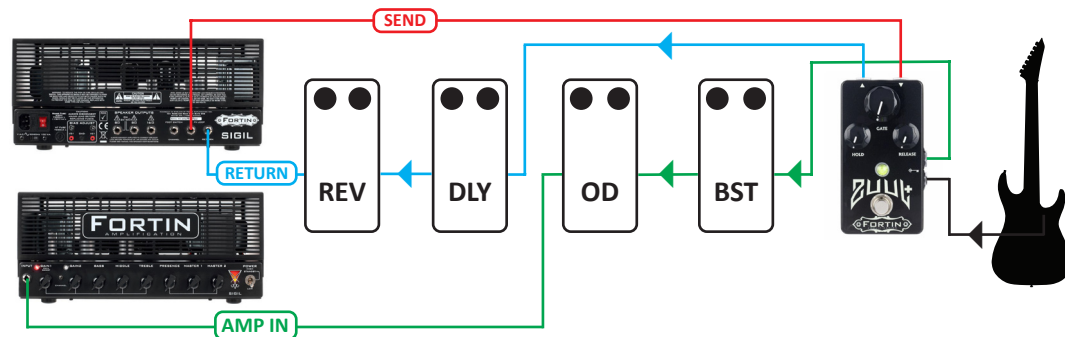
ZUUL+ OUT - To time based effects (modulations, reverbs, delays etc. in 3CM and 4CM) / Out to next unit in chain (2CM).

POWER - 9-12vDC center pin negative (fully regulated) external adapter/power supply only. Power draw **40mA**

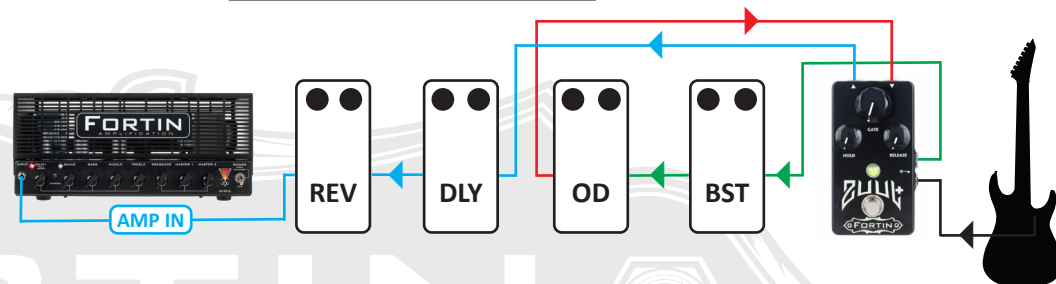
WARRANTY

For the full and up-to-date information about the Fortin warranty, please visit our website - www.fortinamps.com. You can also email us at info@fortinamps.com.

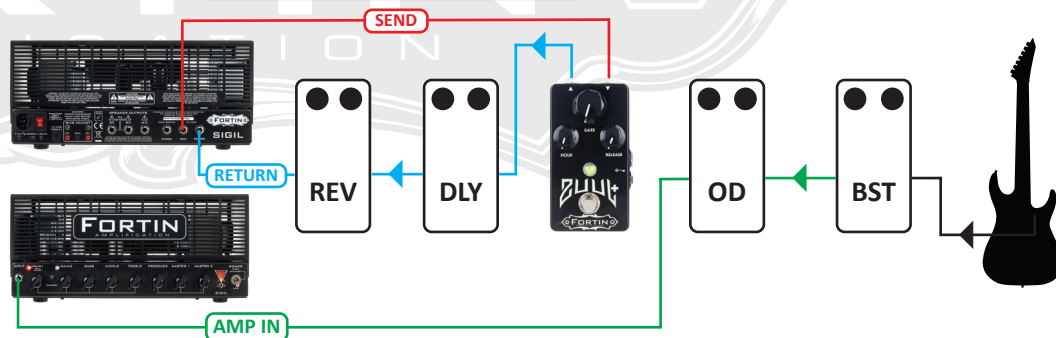
"4 CABLE METHOD" - WITH FX LOOP



"4 CABLE METHOD" - NO FX LOOP



"2 CABLE METHOD" - WITH FX LOOP



"2 CABLE METHOD" - NO FX LOOP

